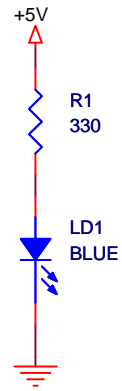
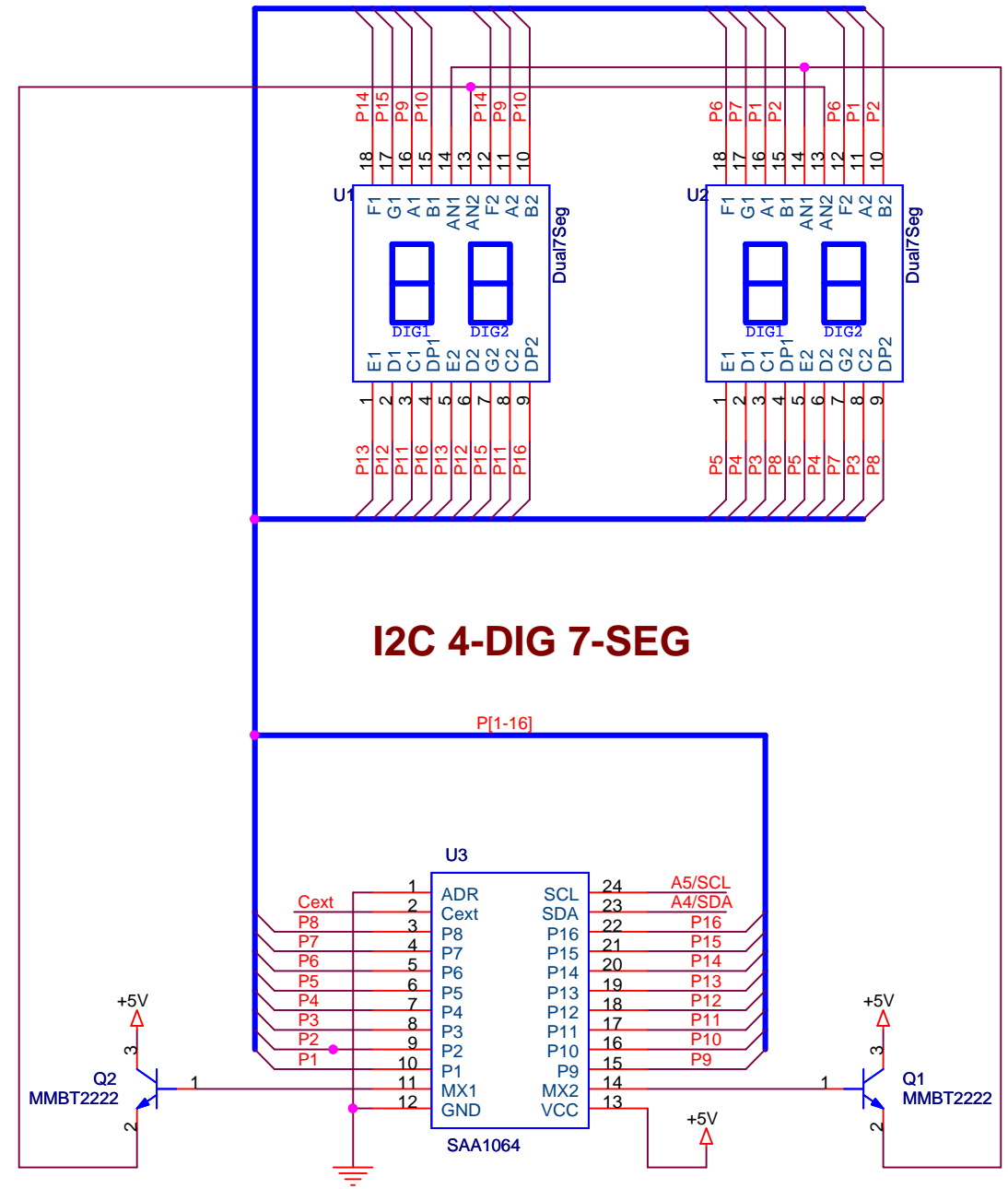
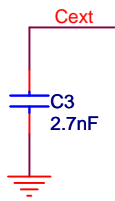
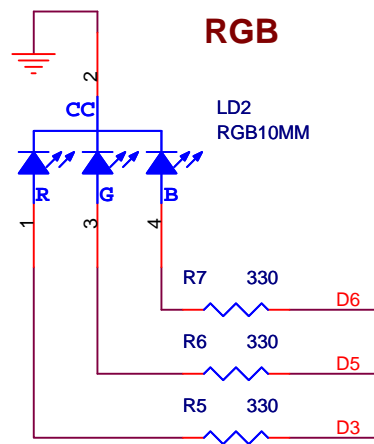


Arduino 7-SEG Shield

POWER ON LED

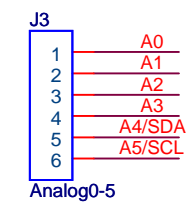
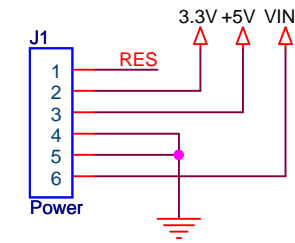


RGB

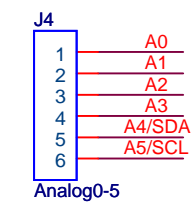
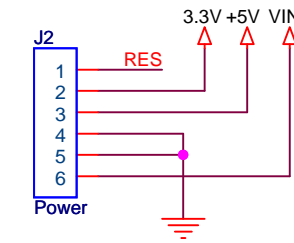


I2C ADDRESS: 0x70
ARDUINO ADDRESS: 0x38

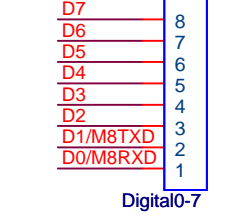
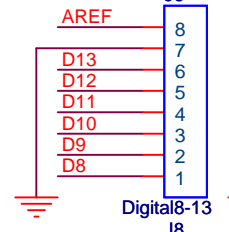
FROM Arduino



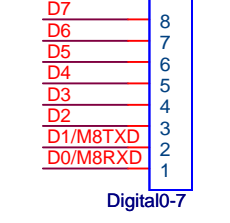
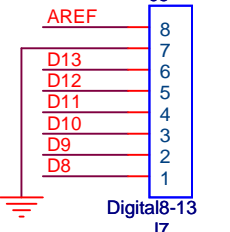
Shield



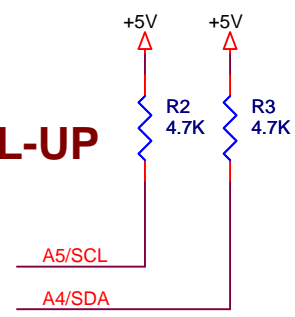
Shield



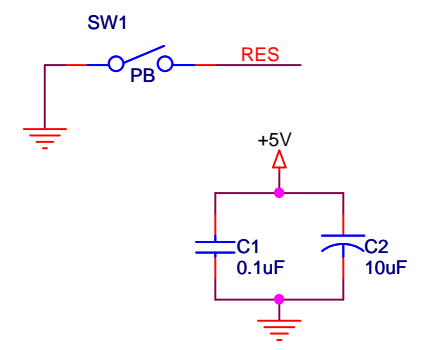
FROM Arduino



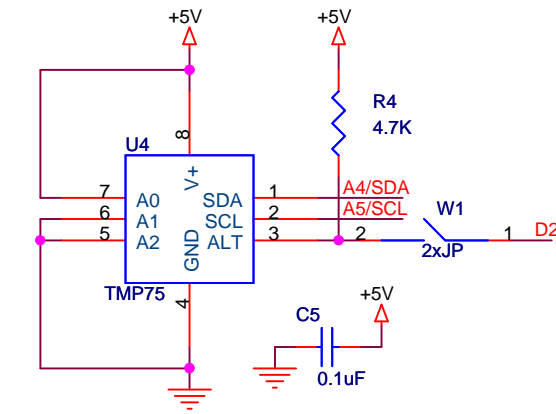
I2C PULL-UP



Reset Button

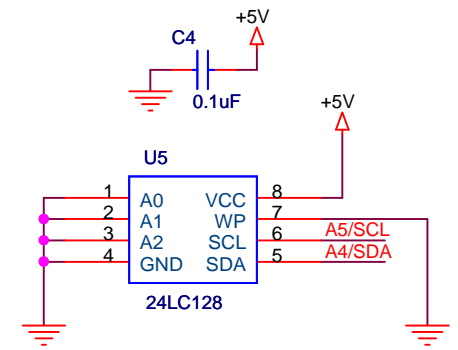


Digital Thermometer



I2C ADDRESS: 0x92
ARDUINO ADDRESS: 0x49

EEPROM 128K (16K x 8)



I2C ADDRESS: 0xA0
ARDUINO ADDRESS: 0x50